

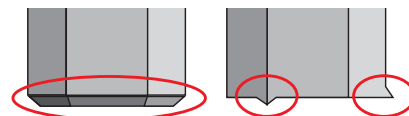


ProHold® Socket Bits Large Sizes for big jobs

Available in sizes
up to 2", 36mm
and T100 Star



Sizes are plainly marked on sockets



BONDHUS TIP:
Clean corners and
smooth end

COMPETITOR:
Burs and other
imperfections

Bondhus chamfers every Hex End socket
bit for easy insertion

BONDHUS
LIFETIME WARRANTY
If any Bondhus® tool breaks or fails to meet your expectations in any way, simply return it. We will replace it free of charge.



High Torque Steel:

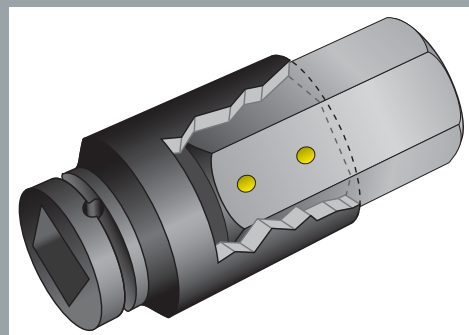
Up to 20% stronger, with more torque and twice the wear resistance of standard grades of steel.

BIT FINISH:



Corrosion-resistant finish:

Environmentally safe, provides better tool grip, resists solvents and is 5 times more corrosion resistant than competitor finishes.



Patented ProHold® button technology
secures bits in sockets without the use of
set screws or roll pins

www.bondhus.com



Singles	SIZE	LENGTH	PART#	QTY
Inch	7/8	2.5"	33220	1
	1	2.5"	33221	1
	1 1/8	2.5"	33223	1
	1 1/4	2.5"	33225	1
	1 1/2	2.5"	33229	1
	1 3/4	2.5"	33231	1
	2	2.5"	33233	1
	Metric	22	2.5"	33291
24		2.5"	33293	1
27		2.5"	33295	1
32		2.5"	33297	1
36		2.5"	33200	1

Singles	SIZE	BIT STOCK	LENGTH	PART#	QTY
Star	T70	17mm	2"	32070	1
	T80	19mm	2"	32080	1
	T90	22mm	2.5"	32090	1
	T100	22mm	2.5"	32000	1

Distributed by: